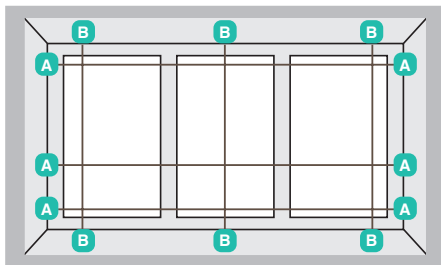


# Measuring for your roman blind is easy- just choose where you will fit your blind and then follow the guide below

There are two positions you can fit your roman blind - it is important that you let us know which way you will fit your blind and measure correctly.

## OPTION 1 Inside the window recess - **RECESS FITTING**



Write your measurements here

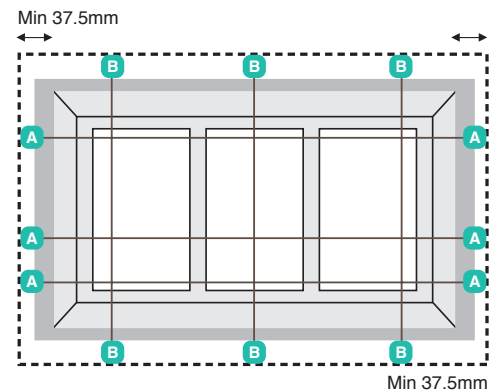
	Width ↔	Drop ↓
Blind 1		
Blind 2		
Blind 3		
Blind 4		

- Make sure your recess is large enough for the roman blind – (We recommend the recess is at least 65mm deep)
- Measure within the recess horizontally in three places as indicated **A**. Note the smallest measurement as your **RECESS WIDTH**. See note about **CLOTH WIDTH** below.
- Measure vertically within the recess in three places as indicated **B**. Note the smallest measurement as your **RECESS DROP**.
- Note which side of the blind you would like your control chain, **LEFT** or **RIGHT** as you look at the blind.
- **IMPORTANT: CLOTH WIDTH**  
When we make your roman blind the fabric width will be 10mm less than the **RECESS WIDTH** you give us. This will allow space in the window recess for the roman blind to operate smoothly. If there are obstructions in your window recess which would still impede the fabric of the roman blind when being lowered (eg. tiling, dado rail or phone socket) then please make an appropriate adjustment to your **RECESS WIDTH** measurement.

## Top measuring tips

- Make sure you measure in at least three places for both **WIDTH** and **DROP**
- Use a metal tape measure – cloth tapes stretch!
- Always record the **WIDTH** first and the **DROP** second to avoid confusion
- Use the boxes below to record your measurements

## OPTION 2 Outside the window recess - **EXACT FITTING**



Write your measurements here

	Width ↔	Drop ↓
Blind 1		
Blind 2		
Blind 3		
Blind 4		

- Measure horizontally in three places as indicated **A**. for the width you want your roman blind to be including overlaps (we recommend at least 37.5mm on all sides). Note the largest measurement as your **EXACT WIDTH**. See note about **CLOTH WIDTH** below.
- Measure vertically in three places as indicated **B**. including overlaps (we recommend at least 37.5mm on all sides). Note the largest measurement as your **EXACT DROP**.
- Note which side of the blind you would like your control chain, **LEFT** or **RIGHT** as you look at the blind.
- **IMPORTANT: CLOTH WIDTH**  
When we make your roman blind the fabric width will be the **EXACT WIDTH** you give us.